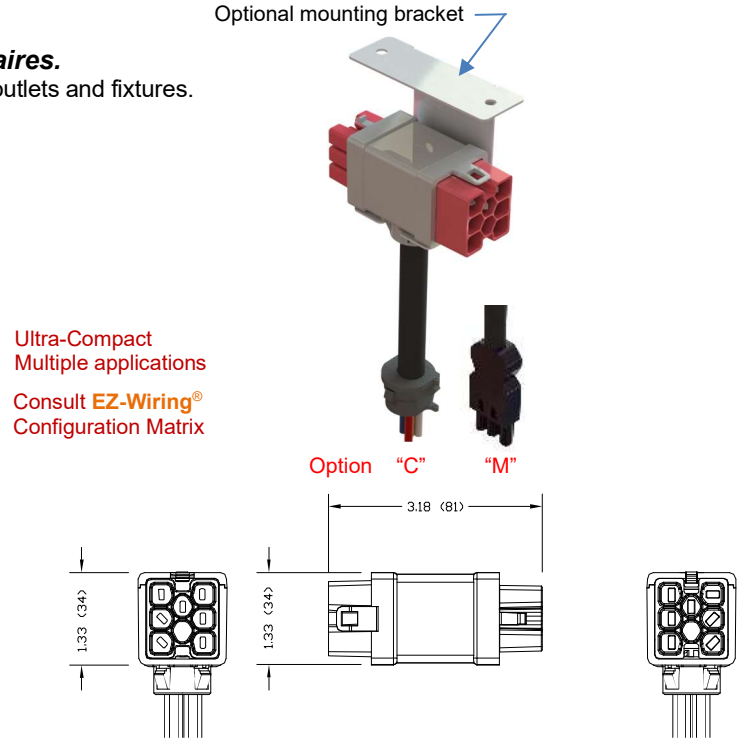


“T”/Cord

Provides connection to devices/outlets or suspended luminaires.
Compact device with integrated cord for quick connection of devices/outlets and fixtures.

Features and Benefits:

- **ELECTEC EZ-Wiring®** components are UL Listed to be in compliance with UL 183 – Manufactured Wiring Systems (QQVX) and CSA Certified to be in compliance with CSA 22.2 No. 203-1 - Manufactured Wiring Systems.
- Robust terminal design exceeds 470Amp for 4 seconds.
- **EZ-Wiring®** connectors are integrally moulded (fully encapsulated) utilizing high impact Halogen-free, Eco-Friendly, Low Smoke, UL94-V0 rated, Oxygen Index – 33%, RoHS-compliant polymers for superior strength, reliability and safety.
- Dielectric Withstand 3000Vac.
- Mating connectors are self-latching and shrouded for added protection.
- Uniquely keyed and colour-coded to clearly indicate ratings and provide safe, simple, error-free connectivity. Only connectors having identical colours can plug together properly.
- Approved “Ballast Disconnect Means” per NEC 410.73(g) and CEC Part 1 30-308(4).
- Suitable for use in environmental air handling spaces (plenums) per NEC 300-22(c) and CEC Part 1 12-010(3)
- Acceptable for interrupting current (make or break) under full load.
- Capping of unused connector openings is optional as **ELECTEC EZ-Wiring®** components have been evaluated to prevent inadvertent contact with live parts.



Ordering Information

Catalogue No.;

1H – VC – LNGO – T /// W XYZ

1H	__	__	__	T	__	__	__
----	----	----	----	---	----	----	----

VC System

22 = 125/250V 20A, **2D** = 125/250V 20A + Control,
42 = 277/480V 20A, **4D** = 277/480V 20A + Control,
62 = 347/600V 20A, **6D** = 347/600V 20A + Control,
D2 = 60Vdc 20A, **DD** = 60Vdc 20A + Control

LNGO Application

Power Distribution

DALI/Class 1 (Control Wiring)

3w **1110** = (L,N,G)/(Pos.,Neg.,G)
 3w **2010** = (2L,G)
 4w **2110** = (2L,N,G)
 5w **2210** = (2L,2N,G)/(2Pos.,2Neg.,G)
 5w **3110** = (3L,N,G)

1112 = 1 circuit + control (L,N,G,2C)/(Pos.,Neg.,G,2C)
2012 = 1 circuit + control (2L,G,2C)

/// Cord Length (in cm)

030 = 12in(30cm), **046** = 18in(46cm), **061** = 24in(61cm), **076** = 30in(76cm), **091** = 36in(91cm),
122 = 4ft(1.2m), **183** = 6ft(1.8m), **244** = 8ft(2.4m), **305** = 10ft(3.1m), **366** = 12ft(3.7m),
457 = 15ft(4.6m), **549** = 18ft(5.5m), **610** = 20ft(6.1m)

W Gauge

2 = #12AWG, **4** = #14AWG, **6** = #16AWG, **8** = #18AWG

XYZ (X) Cord Type
 (Y) Cord Colour
 (Z) Other Options

J = SJ (300V), **S** = S (600V)
K = Black, **W** = White
C = Cord connector, **A** = Quick-connector style “A”, **M** = Quick-connector style “M”,
W = Wire connector, **blank** = none

Adhere to all Code requirements and carefully follow installation instructions

