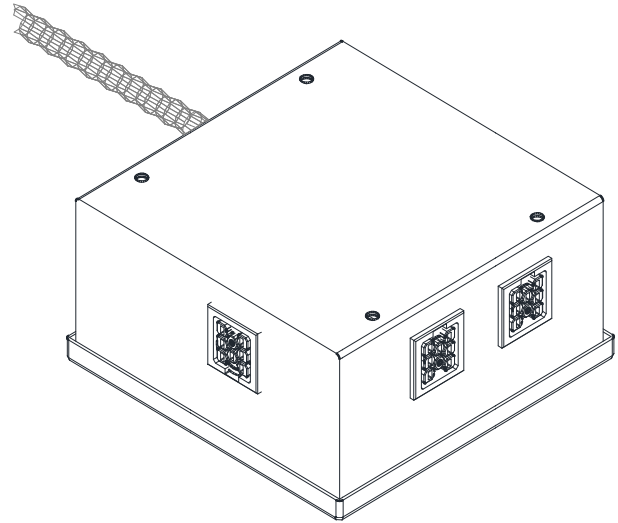


Primary Distribution Module (PDM)

Delivers Main Distribution Point for EZ-Wiring MWS

- Pre-wired enclosure provides cost-effective panel management for modular wiring systems.
- Electrical circuits are site-wired directly from panel to PDM terminal block.
- Flush-mounted multi-circuit outputs feed Secondary Distribution Modules.
- Enclosure dimensions to suit project requirements.
- Enclosures available in multiple styles, including low-profile.
- **Suitable for site-wired homeruns or available with ULTRALX® AC90/MC Homerun cable preinstalled**



Specifications

- Connectors are integrally moulded for superior strength and reliability.
- Mating connectors are self-latching and shrouded for added safety and protection.
- Uniquely-keyed, colour-coded mating connectors ensure safe, simple and error-free connectivity.
- Robust terminals deliver excellent electrical performance.
- Manufactured with Eco-Friendly Halogen-free RoHS-compliant materials.
- UL 183 and CSA 22.2 No 203.1 certified Manufactured Wiring System
- Approved for luminaire disconnect per NEC 410.73(g) and CEC Part 1 30-308(4)
- Acceptable for use in environmental air handling spaces per NEC 300-22(c) and CEC Part 1 12-010(3)
- Constructed using UL and/or CSA approved metal enclosures.
- Enclosure size, number and configuration of receptacles to suit project requirements.

Ordering Information

Please contact Electec for details
613-622-0840
support@electeonline.com

Notes

1. Enclosure dimensions to suit project requirements.
2. Enclosures available in multiple styles, including low-profile.
3. Suitable for lighting/power distribution applications up to 600V 20A.
4. Delivers multiple power and/or lighting circuits from panel to zone.
5. EZ-Wiring Receptacles each deliver up to 8 wires (4L 2N 2G or 3L 3N 2G)
6. Intended for field connection as per application spec.
7. Allows for maximum on-site flexibility for building connection requirements
8. Receptacle leads are pre-wired to terminal blocks for fast on-site connection.
9. Knockout available for conduit or ULTRALX® cable connection.

