

Plug

Provides connection to miscellaneous equipment such as furniture systems and raised floor enclosures

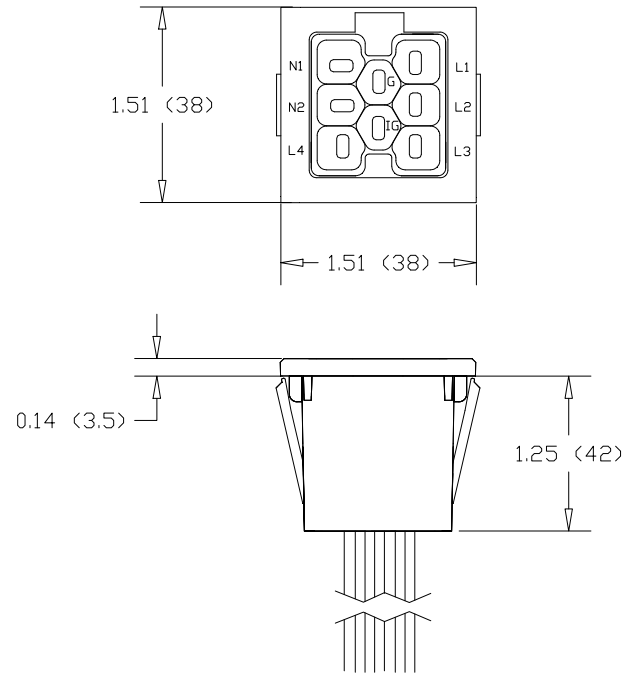
Flush mount device for use in enclosures and junction boxes includes leads prepared for field connection.

Specifications

- Connectors are integrally moulded for superior strength and reliability.
- Mating connectors are self-latching and shrouded for added safety and protection.
- Uniquely-keyed, colour-coded mating connectors ensure safe, simple and error-free connectivity.
- Robust terminals deliver excellent electrical performance.
- Manufactured with Eco-Friendly Halogen-free RoHS-compliant materials.
- UL 183 and CSA 22.2 No 203.1 certified Manufactured Wiring System
- Approved for luminaire disconnect per NEC 410.73(g) and CEC Part 1 30-308(4)
- Acceptable for use in environmental air handling spaces per NEC 300-22(c) and CEC Part 1 12-010(3)
- Constructed with 8" leads prepared for connection.

Notes

1. Dimensions are in inches (millimetres).
2. 125/250V 20A (4L, 2N, 2G) keyed-orientation is shown.
3. 480 and 600V product cCSA certified only "not for interrupting current".
4. Other system ratings and applications are available in uniquely-keyed and colour-coded configurations.



Ordering Information

Catalogue No. **TH - VC - LNGO - P UU**

T Standard **1** = UL/CSA (MC/AC-90), **2** = CSA (AC-90)

VC System **22** = 125/250V 20A, **42** = 277V 20A, **62** = 347V 20A

LNGO Application	Power Distribution	Switch	DALI Lighting Controls
8w	4220 = (4L 2N 2G)		
8w	3320 = (3L 3N 2G)		
7w	4210 = (4L 2N G)		3112 = 3Ph 4w w/ DALI (3L N G 2D)
6w	2220 = (2L 2N 2G)		
5w	2210 = (2L 2N G)		
5w	3110 = (3L N G)		1112 = Single Cct w/ DALI (L N G 2D)
4w	2110 = (2L N G)	1012 = 3, 4-Way Switch	
3w	1110 = (L N G)	1011 = Switch	

UU Wire Upsize **blank** = none, **10** = Upsized Neutrals only, **11** = Upsize all conductors

