

Main Distribution Box

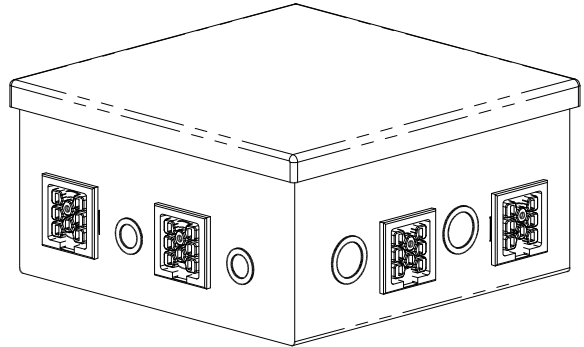
Delivers Main Distribution Point for EZ-Wiring MWS

Pre-wired enclosure provides cost-effective installation of modular wiring system distribution centers.

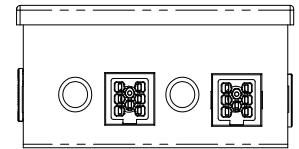
Delivers multiple power and lighting circuits from panel to zone using flush mount EZ-Wiring Receptacles as required

Specifications

- Connectors are integrally moulded for superior strength and reliability.
- Mating connectors are self-latching and shrouded for added safety and protection.
- Uniquely-keyed, colour-coded mating connectors ensure safe, simple and error-free connectivity.
- Robust terminals deliver excellent electrical performance.
- Manufactured with Eco-Friendly Halogen-free RoHS-compliant materials.
- UL 183 and CSA 22.2 No 203.1 certified Manufactured Wiring System
- Approved for luminaire disconnect per NEC 410.73(g) and CEC Part 1 30-308(4)
- Acceptable for use in environmental air handling spaces per NEC 300-22(c) and CEC Part 1 12-010(3)
- Constructed using UL and/or CSA approved metal enclosures.



EZ-Wiring connectors are uniquely-keyed to prevent incorrect connections.



Ordering Information

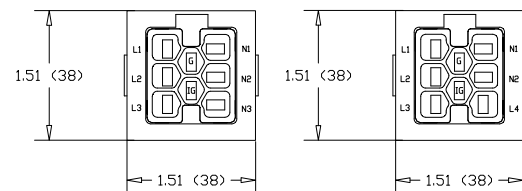
Please contact Electec for details

Notes

1. Standard enclosure dimensions are 10"x10"x4".
Other enclosure sizes and styles are available, including low-profile.
2. Suitable for power distribution applications up to 600V 20A.
3. Delivers multiple power and/or lighting circuits from panel to zone.
4. Intended for field connection as per application spec.
5. Allows for maximum on-site flexibility for building connection requirements
6. Receptacle leads are pre-wired to terminal blocks for fast on-site connection.
7. Knockout available for conduit or ULTRALX® cable connection.

EZ-Wiring delivers the most compact 8-wire 20A flush-mount Modular Wiring System connector.

125V 20A 8-wire EZ-Wiring receptacles are constructed in 3L 3N 2G and 4L 2N 2G configurations to suit your application.



Consult the EZ-Wiring configuration matrix for all available pinning configurations.

