

Fixture Tap

Provides connection to luminaires

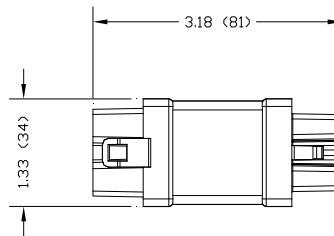
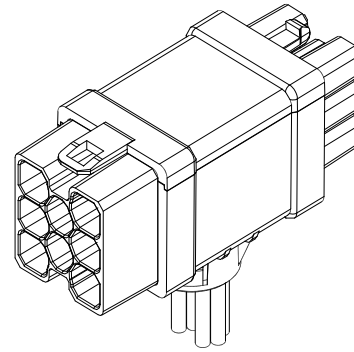
Compact low-profile device for quick connection to fixtures. Snap-in 1/2" trade knockout design can be field or factory installed.

Specifications

- Connectors are integrally moulded for superior strength and reliability.
- Mating connectors are self-latching and shrouded for added safety and protection.
- Uniquely-keyed, colour-coded mating connectors ensure safe, simple and error-free connectivity.
- Robust terminals deliver excellent electrical performance.
- Manufactured with Eco-Friendly Halogen-free RoHS-compliant materials.
- CSA 22.2 No 203.1 certified Manufactured Wiring System
- Approved for luminaire disconnect per CEC Part 1 30-308(4)
- Acceptable for use in environmental air handling spaces in accordance with CEC Part 1 12-010(3).
- Constructed with 8" leads 18AWG Fixture leads prepared for connection.

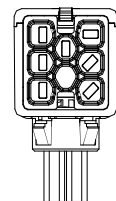
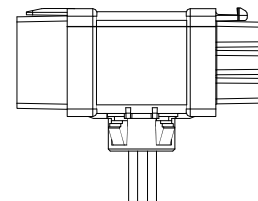
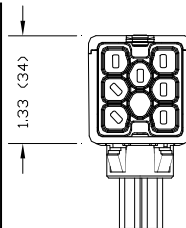
LSZH
Halogen Free

RoHS
Compliant



Notes

1. Dimensions are in inches (millimetres)
2. 125V 20A Dali-keyed orientation shown
3. Other system ratings and applications are available in uniquely-keyed and colour-coded configurations
4. 18AWG Fixture Leads standard



Ordering Information

Catalogue No.	1H – VC – LNGO – F T P	
VC System	22 = 125/250V 20A, 42 = 277V 20A, 62 = 347V 20A	23 = 125/250V 30A, 43 = 277V 30A, 63 = 347V 30A
LNGO Application	1110 = Single Circuit, 2110 = Dual/Split Circuit	1112 = Single Cct w/ DALI (L, N, G, D+, D-), 3112 = 3Ph 4w w/ DALI (L1, L2, L3, N, G, D+, D-)
T Fixture Leads	0 = 18AWG, 1 = 16AWG, 2 = 14AWG, 3 = 12AWG	
P Options	blank = none, 1 = Push-in style connector	