

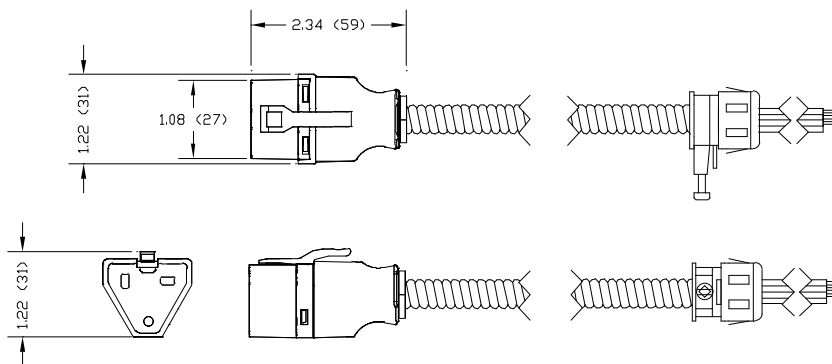
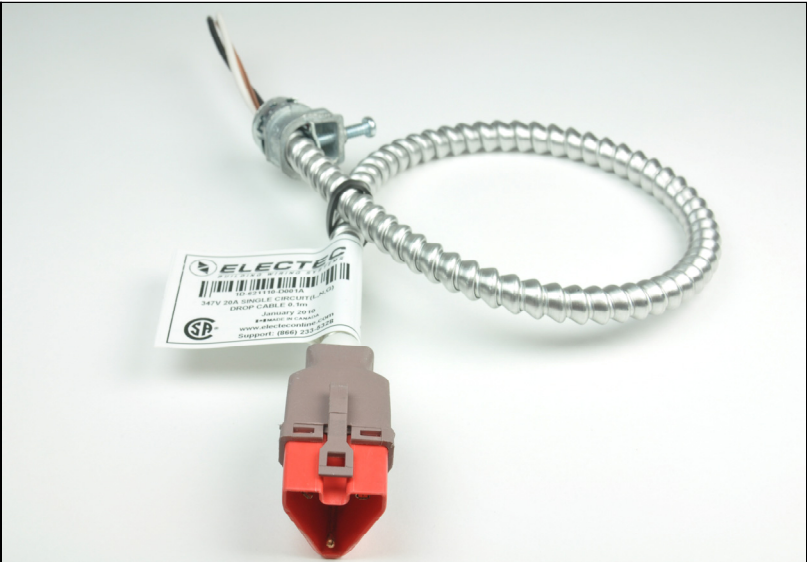
Drop Cable

Provides connection to miscellaneous devices such as convenience receptacles and switches.

MWS connection end has a male EZ-Wiring connector. Free end has prepared wires and box connector for field connection.

Specifications

- Constructed using ULTRALX® MC/AC-90 cable, minimum 12AWG conductors rated 600V 20A.
- Connectors are integrally moulded for superior strength and reliability.
- Mating connectors are self-latching and shrouded for added safety and protection.
- Uniquely-keyed, colour-coded mating connectors ensure safe, simple and error-free connectivity.
- Robust terminals deliver excellent electrical performance.
- Manufactured with Eco-Friendly Halogen-free RoHS-compliant materials.
- CSA 22.2 No 203.1 certified Manufactured Wiring System.
- Approved for luminaire disconnect per CEC Part 1 30-308(4).
- Acceptable for use in environmental air handling spaces in accordance with CEC Part 1 12-010(3).



LSZH
Halogen Free

RoHS
Compliant



Notes

1. Dimensions are in inches (millimetres)
2. 125V 20A keyed-orientation is shown
3. Other system ratings and applications are available in uniquely-keyed and colour-coded configurations.

Ordering Information

Catalogue No.	1 D – VC – LNGO – D III A
VC System	21 = 125/250V 15A, 22 = 125/250V 20A, 42 = 277V 20A, 62 = 347V 20A
LNGO Application	1110 = Single Circuit, 2110 = Dual/Split Circuit, 1120 = Isolated Ground, 1011 = Switch, 1012 = 3, 4-Way Switch
III Length in dm	003 = 0.3m (1'), 027 = 2.7m (9'), 046 = 4.6m (15'), 064 = 6.4m (21')
A Cable Type	A = Standard MC/AC90 Cable H = Halogen Free MC/AC90 Cable

Example

1D-22-1110-D064H

*Single Circuit 125V 20A
Drop Cable (L,N,G) 6.4m
Constructed with
Halogen-Free Type
MC/AC-90 Cable*